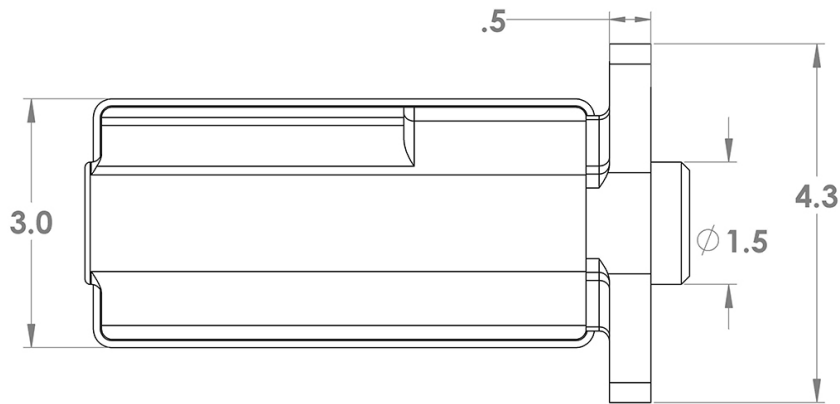
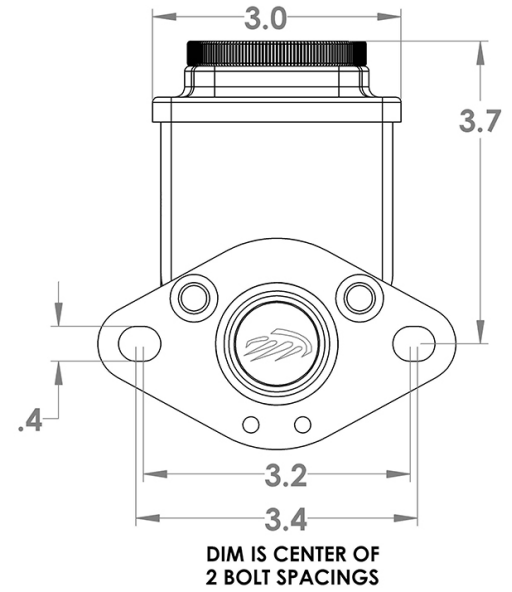
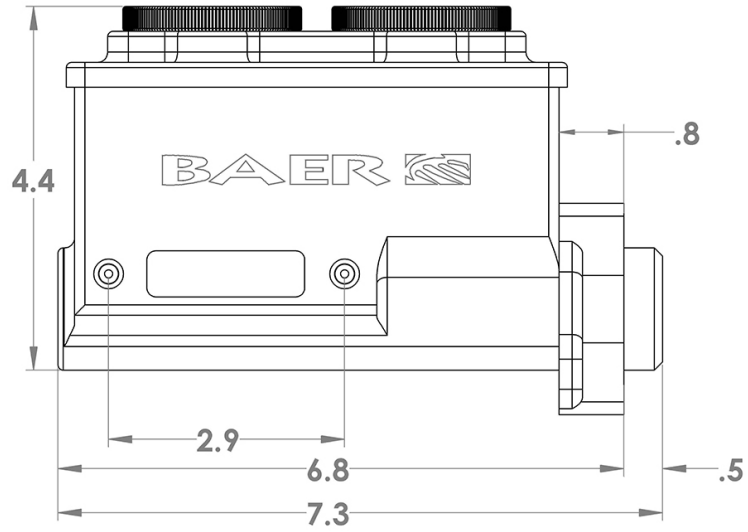


# REMASTER



**BAER INC.**   
2222 W. PEORIA AVE. PHOENIX, AZ 85029

DWG./FILE. NO. 1.0 assembly	TITLE: <b>15/16 &amp; 1.00</b>	REV
--------------------------------	-----------------------------------	-----

MATERIAL	DO NOT SCALE DRAWING	SHEET 1 OF 1
----------	----------------------	--------------